

# CD80SV RETROFIT POWER MODULES

Date: \_\_\_\_\_  
Type: \_\_\_\_\_  
Firm: \_\_\_\_\_  
Name: \_\_\_\_\_  
Project: \_\_\_\_\_

Vari-Lite CD80SV Retrofit Modules allow venues to upgrade their existing CD80SV modular power racks with new power and processing modules. This will allow them to integrate modern luminaires and user interfaces without replacing their entire existing power infrastructure.

The CD80SV Retrofit Processor module offers multiple connectivity and control options, including sACN, Art-Net, Vision.Net, and DMX, while retrofit power modules offer relay-controlled power and more. In addition, an optional secondary processor provides full tracking backup for ultimate reliability. To make things easy to commission and manage, the system includes browser-based configuration and local controls for setup and testing.



- Dual 20A power modules - Wide range of easy-to-swap power control modules that can be combined in any way to meet the demands of each production.

For detailed product information, please refer to the Product Guide at <https://www.vari-lite.com/global/products/cd80sv-retrofit>



VARI\*LITE

# Specifications

Due to continuous improvements and innovations, specifications may change without notice.

## Electrical

Input Voltage	120V
Circuit protection	Magnetic circuit breakers
Power	Dual 20A

## Operation

Connection	Plug-in
Rise time (IGBT Dimmer)	1,000 $\mu$ s
Modes (IGBT Dimmer)	Forward / Reverse phase
Switching (Relay)	Mechanical relay

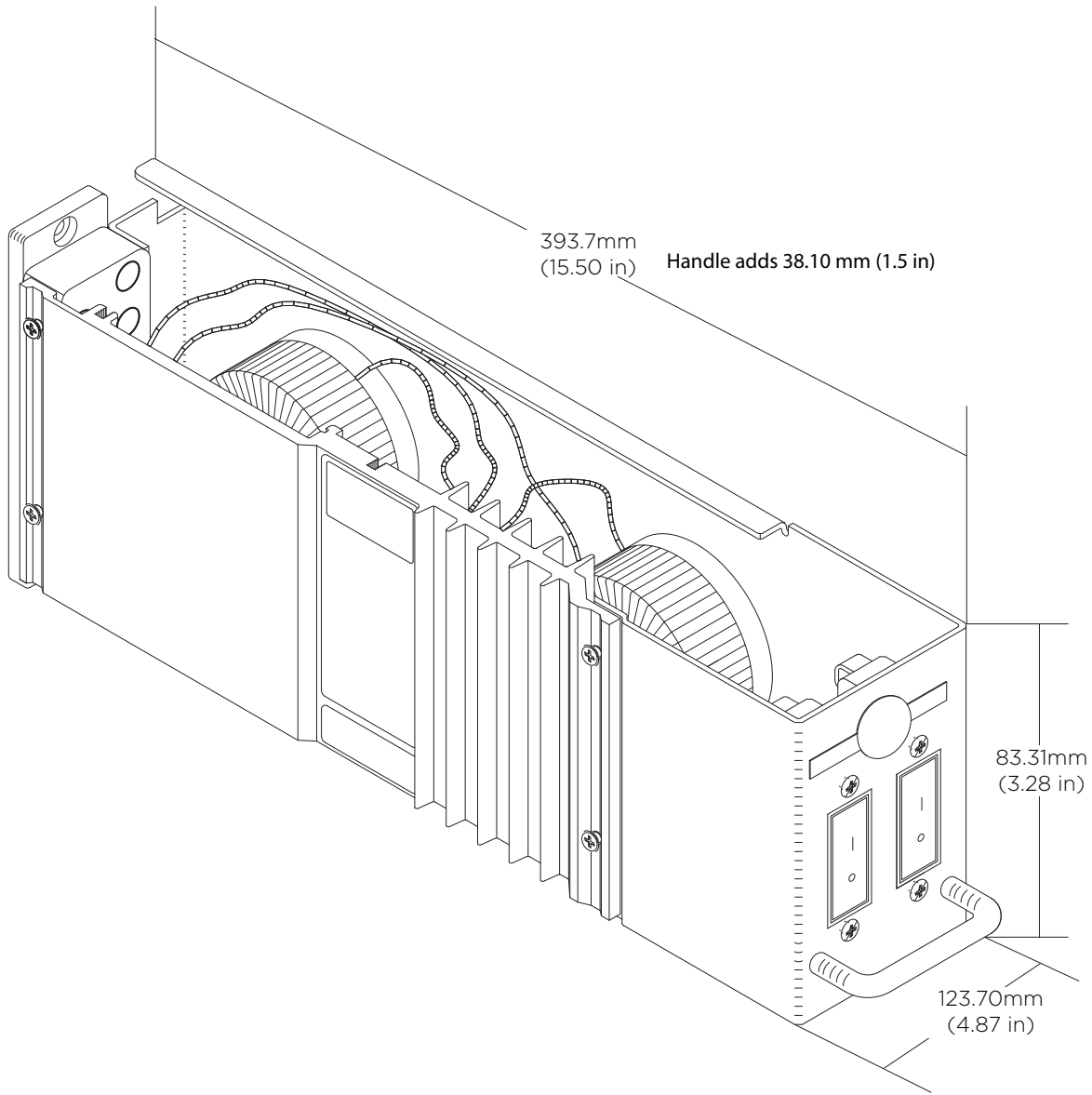
## Certification and Safety

Conformity	UL / cUL recognized and ETL / cETL listed
------------	---

## Physical

Operating temperature	0-40°C (32-104°F)
Humidity	0-95% non-condensing
Dimensions	393.7 x 123.7 x 83.31 mm (15.5 x 4.87 x 3.28 in) handle adds 38.10 mm (1.5 in)
Construction	Heavy duty aluminum with heat sink
Ingression Protection	IP20

# Dimensions



# Product and Accessories

<b>Modules</b>	<b>Order Code</b>
Dual 20A Constant CD80SV retrofit module	53804-831
Dual 20A Relay CD80SV retrofit module	58304-832
Dual 20A IGBT (1000µs) CD80SV retrofit module	53804-833

<b>Processor</b>	<b>Order Code</b>
Single CD80SV Retrofit processor in dual tray (includes all necessary cables and adapters)	53804-821
Second / spare RigRack (or retrofit) processor	53804-022

<b>Accessories</b>	<b>Order Code</b>
Blank RigRack (or retrofit) module	53804-041

